

# HAWBOLDT INDUSTRIES

**Designed. Built. Marine.**

## OS-30

## MODULAR OCEAN SCIENCE WINCHES

Hawboldt's modular Ocean Science 30 Series Winches are designed for a wide range of science work in harsh marine conditions, including CTD, ROV, Trace Metals, trawling, and many more.

With a 25+ year service life and backed by decades of experience building custom winches for the research industry, our Ocean Science Winches are manufactured for the toughest challenges and harsh marine conditions.

## SPECIFICATIONS

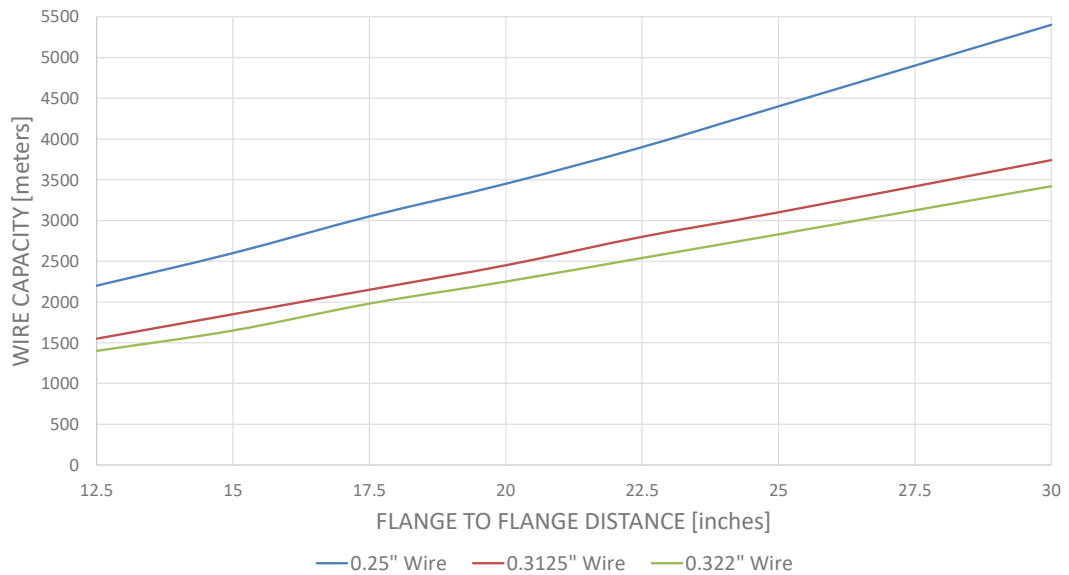
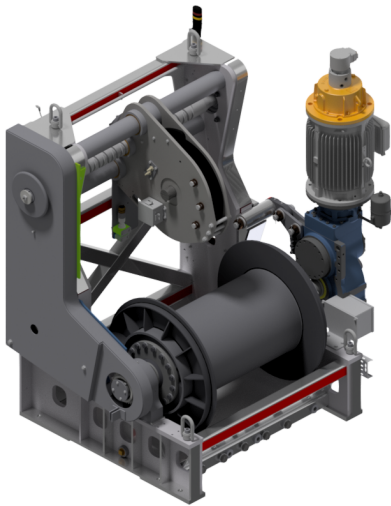
### WINCH POWER REQUIREMENTS OPTIONS

- ▶ Electric – 440VAC/3PH/60Hz – 35 HP
- ▶ Hydraulic Supply – 3000 psi @ 20 GPM

### WINCH PERFORMANCE DATA

Maximum Bare Drum Pull: 5,000 lbs @ 180 ft/min  
(2,265 kg @ 55 m/min)

## PERFORMANCE CAPABILITIES



## FEATURES

- ▶ Inline or right angle level-wind
- ▶ Electric (*includes VFD*) or hydraulic (*includes Directional Control Valve*) power input
- ▶ Local electronic control panel
- ▶ Compact and modular Lightweight Aluminum Engineered frame
- ▶ Large drum diameter ensures a long cable life
- ▶ Hawboldt's proprietary EZ-Spool control system
- ▶ Integrated dual axis load pin

## OPTIONS

- ▶ Fairlead Roller Box with instrumented sheave
- ▶ Grooved Shell
- ▶ Wired or Wireless Belly-Pack
- ▶ Active Heave Compensation
- ▶ Focal 180 Slip Ring
- ▶ Industrial VPN Router
- ▶ Air-conditioning Unit
- ▶ Hawboldt's Proprietary Pro-Spool Control System
- ▶ Rotary Slewing Ring
- ▶ Cable Wash Down Sprayer



ISO 9001 - 2008

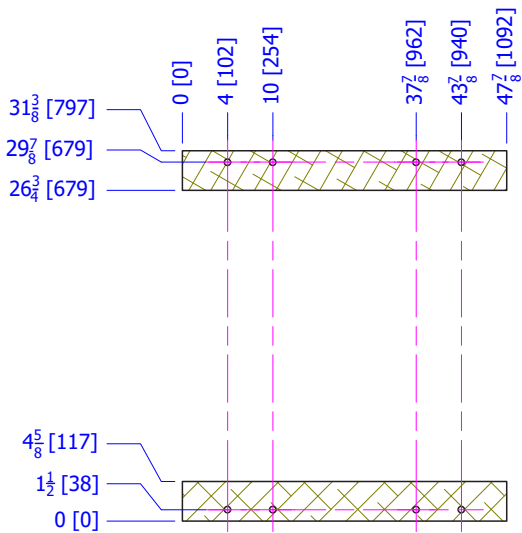
Chester, NS Canada B0J 1J0  
**T: 1-902-275-3591**  
 E: [sales@hawboldt.ca](mailto:sales@hawboldt.ca)

[www.hawboldtind.com](http://www.hawboldtind.com)

# HAWBOLDT INDUSTRIES

**Designed. Built. Marine.**

## TECHNICALLY SPEAKING

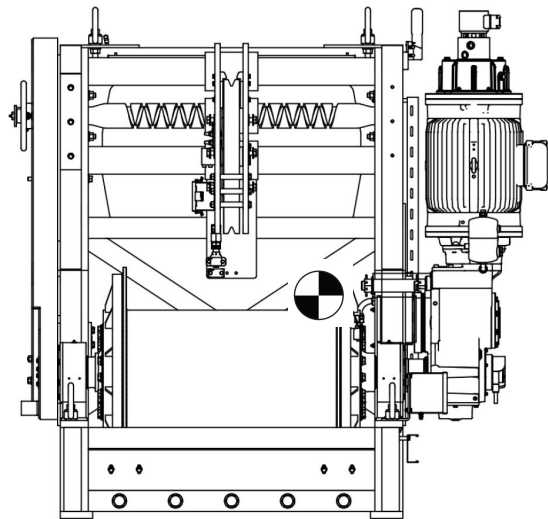
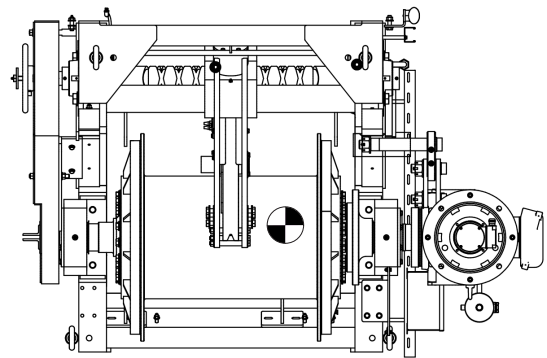
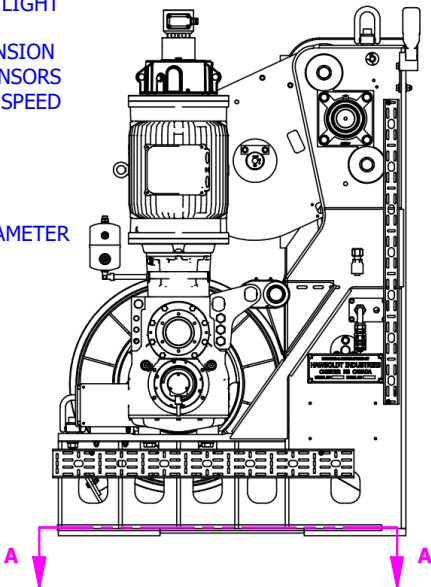


**SECTION A-A**

OPTIONAL VFD PANEL  
BEACON LIGHT

LOAD PIN FOR TENSION  
MONITORING SENSORS  
FOR PAYOUT AND SPEED

Ø30 FLANGE DIAMETER



A Century Of Leadership In Engineered Solutions

for the Marine And Shipbuilding Industries



ISO 9001 - 2008

Chester, NS Canada B0J 1J0  
T: 1-902-275-3591  
E: sales@hawboldt.ca